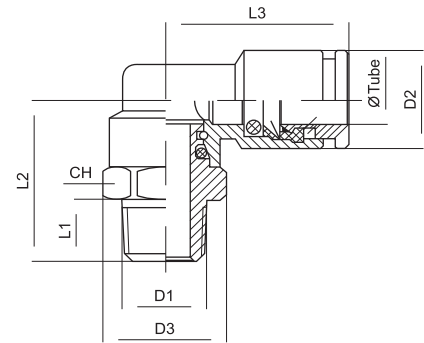
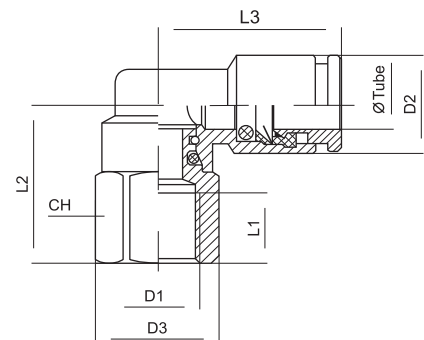
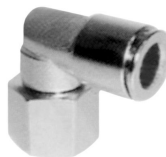


**Male Thread Elbow,
Taper thread**



Type	Art. No.	Connection (D1)	Tube OD (mm)	Dimensions (mm)					
				D2	D3	L1	L2	L3	CH
BML-M5-4	98105	M5	4	9	10	4	14	17	9
BML-1/8-4	98120	1/8"	4	9	11.5	7.5	17.5	17	10
BML-1/4-4	98183	1/4"	4	9	15.5	11	24	19	14
BML-M5-6	98110	M5	6	12	10	4	14	20	9
BML-1/8-6	98140	1/8"	6	12	14.5	7.5	20	21.5	13
BML-1/4-6	98192	1/4"	6	12	15.5	11	24	21.5	14
BML-1/8-8	98164	1/8"	8	14	14.5	7.5	20	22	13
BML-1/4-8	981116	1/4"	8	14	15.5	11	24	22	14
BML-3/8-8	981165	3/8"	8	14	20	11.5	27	23	18
BML-1/4-10	981140	1/4"	10	16	20	11	26.5	25	18
BML-3/8-10	981181	3/8"	10	16	20	11.5	27	25	18
BML-1/2-10	981215	1/2"	10	16	25	8.5	27.5	25	16
BML-1/4-12	981156	1/4"	12	18	16	6.5	25.5	28	20
BML-3/8-12	981199	3/8"	12	18	22.5	11.5	30.5	28	20
BML-1/2-12	981221	1/2"	12	18	24.5	14	33.5	28	22
BML-3/8-14	981212	3/8"	14	22	22.5	11.5	30.5	30.5	20
BML-1/2-14	981233	1/2"	14	22	24.5	14	33.5	30.5	22

**Female Thread Elbow,
Taper thread**



Type	Art. No.	Connection (D1)	Tube OD (mm)	Dimensions (mm)					
				D2	D3	L1	L2	L3	CH
BFL-1/8-4	98123	1/8"	4	9	14.5	7.5	17.5	19	13
BFL-1/8-6	98143	1/8"	6	12	14.5	7.5	17.5	21.5	13
BFL-1/4-6	98195	1/4"	6	12	18	11	21.5	21.5	16
BFL-1/8-8	98167	1/8"	8	14	14.5	7.5	17.5	22	13
BFL-1/4-8	981119	1/4"	8	14	18	11	21.5	22	16
BFL-1/4-10	981143	1/4"	10	16	18	11	23	25	16
BFL-3/8-10	981184	3/8"	10	16	22.5	12	25	25	20