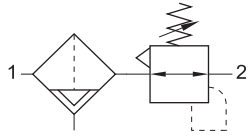


**Airline Filter Regulator Combined,
Automatic drain**



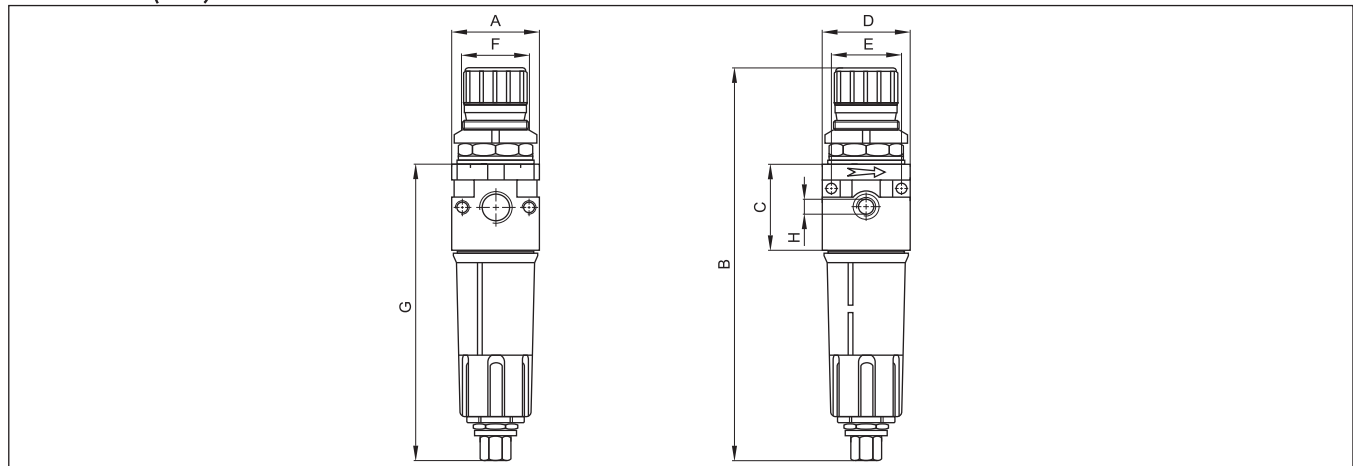
Function:

These filter regulator combined sets are used to purify & regulate the compressed air.

Technical Data:

Type	APC-1/4-A	APC-3/8-A	APC-1/2-A	APC-3/4-A	APC-1-A
Art. No.	121206	121216	121226	121236	121246
Connection	G1/4	G3/8	G1/2	G3/4	G1
Flow rate at 6 bar (Nl/min)	700	2600	2600	4600	4600
Cup capacity (cm ³)	13	47	47	170	170
Fluid	Compressed air				
Design	Sintered filter, automatic drain, piston regulator				
Mounting	Through holes, vertical				
Filtration	32 micron standard, 5 micron (on request)				
Pressure range	Max. 18 bar				
Regulation pressure	0...12 bar				
Temperature range	Max. 50 °C				
Body	Zn+Al+Mg alloy, enamel painted				
Weight (g)	350	900	900	2,500	2,500

Dimensions (mm):



Type	A	B	C	D	E	F	G	H
APC-1/4-A	42	180	42	42	32	30x1.5	145	1/8"
APC-3/8-A	60	240	60	60	46	38x2	180	1/8"
APC-1/2-A	60	240	60	60	46	38x2	180	1/8"
APC-3/4-A	80	325	80	80	66	55x2	240	1/4"
APC-1-A	80	325	80	80	66	55x2	240	1/4"

Subject to change