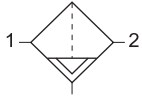


**Airline Filter,
Automatic drain**



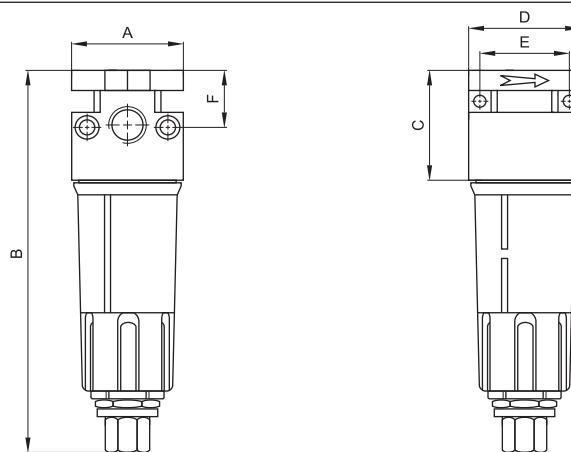
Function:

These filters are used to purify the compressed air.

Technical Data:

Type	APF-1/4-A	APF-3/8-A	APF-1/2-A	APF-3/4-A	APF-1-A
Art. No.	121202	121212	121222	121232	121242
Connection	G1/4	G3/8	G1/2	G3/4	G1
Flow rate at 6 bar (Nl/min)	1150	4300	4300	9600	9600
Cup capacity (cm ³)	13	47	47	175	175
Fluid	Compressed air				
Design	Sintered filter, manual drain				
Mounting	Through holes, vertical				
Filtration	32 micron standard, 5 micron (on request)				
Pressure range	Max. 18 bar				
Temperature range	Max. 50 °C				
Body	Zn+Al+Mg alloy, enamel painted				
Weight (g)	400	900	900	1,900	1,900

Dimensions (mm):



Type	A	B	C	D	E	F
APF-1/4-A	42	145	42	42	32	21
APF-3/8-A	60	180	60	60	46	30
APF-1/2-A	60	180	60	60	46	30
APF-3/4-A	80	240	80	80	66	40
APF-1-A	80	240	80	80	66	40