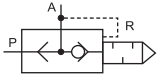


**Quick Exhaust Valve,
Female thread**



Function:

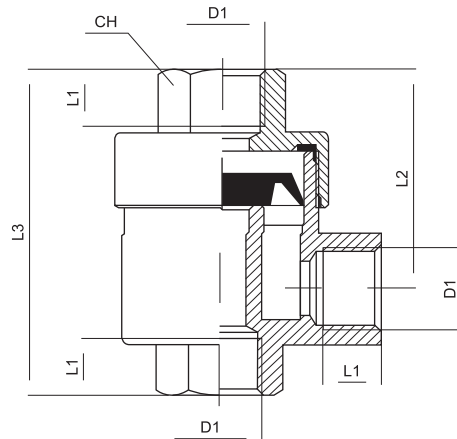
Release pressure in the pneumatic circuit is quickly exhausted by these valve in the absence of main air pressure.



Technical Data:

Type	FSV-1/8	FSV-1/4	FSV-3/8	FSV-1/2	FSV-3/4
Art. No.	981413	981422	981431	981439	981441
Connection	1/8"	1/4"	3/8"	1/2"	3/4"
Flow rate (NI/min)	570	1200	2750	6450	7500
Fluid	Compressed air lubricated or non-lubricated				
Pressure range	2...10 bar				
Temperature range	-10...+70 °C				
Body	Aluminum				

Dimensions (mm):



Type	D1	L1	L2	L3	CH	Weight (g)
FSV-1/8	1/8"	7.5	27	42	15	85
FSV-1/4	1/4"	11	35	54	19	156
FSV-3/8	3/8"	12	35	55	21	164
FSV-1/2	1/2"	14	45	72	26	313
FSV-3/4	3/4"	16	53	89	32	505