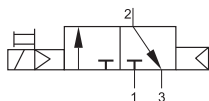


Solenoid Operated Valves

3/2-way valves, standard valves, normally closed



Single Solenoid Valve, With manual override, air spring return



Function:

When the coil is energized, internal pilot pressure actuates the spool of the valve, until the coil is de-energized.



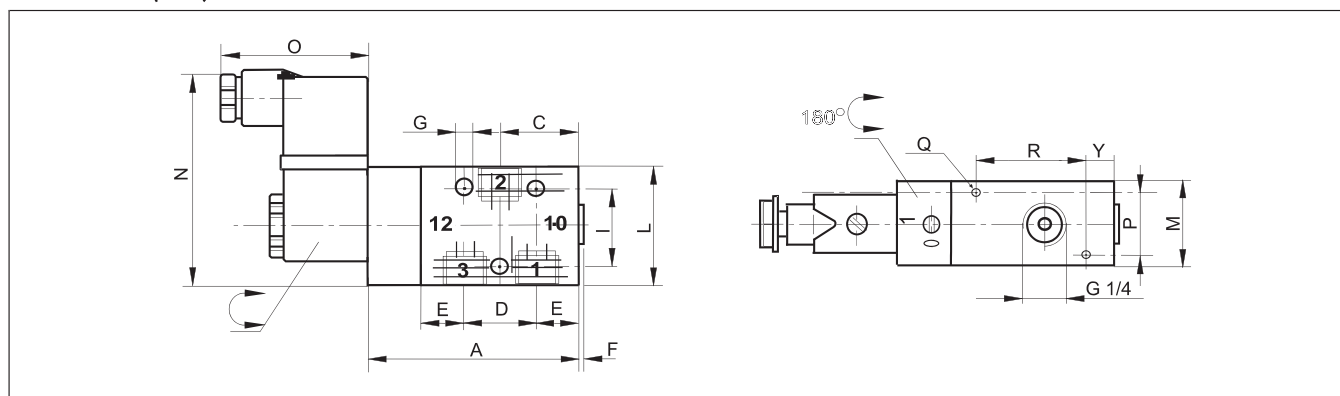
Technical Data:

Type	PMV-3-1/8-B	PMV-3-1/4-B	PMV-3-1/2-B
Art. no.	204025	204089	204090
Connection	G1/8	G1/4	G1/2
Valve function	3/2 way		
Design	Piston spool		
Type of mounting	Via through-holes		
Norminal dia (mm)	5	7	12
Std. nominal flow rate (l/min)	650	1250	3000
Operating medium	Filtered compressed air, lubricated or unlubricated		
Operating pressure range	2...10 bar	2...10 bar	1...10 bar
Temperature range	-10...+60 °C		
Operating vantage	12, 24, 48, V DC; 24,110, 230 (50...60 Hz) VAC		
Power consumption	DC voltage 3 W; AC voltage 5 VA		
Protection class	IP 65		
Materials	Body: Wrought aluminium alloy, anodised; Seals: Nitrile rubber		
Weight (g)	200	210	530

Note: For magnetic coils see sheet 4.6.1.

For manifold see sheet #

Dimensions (mm):



Connection (Y)	A	C	D	E	F	G	I	L	M	N	O	P	Q	R
G1/8	56	21	18	12	1	4.5	25	36	22	65	48	16.5	3.3	30
G1/4	64	24	22	13	1	5.5	25	40	22	67	48	16.5	3.3	34
G1/2	98	41	32	25	-	6.6	40	60	30	77	48	20	M5	58

Subject to change