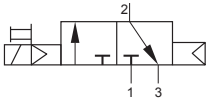


Solenoid Operated Valves
3/2-way valves, standard valves, normally closed



Single Solenoid Valve,
With manual override, air spring return



Function:

When the coil is energized, internal pilot pressure actuates the spool of the valve, until the coil is de-energized.

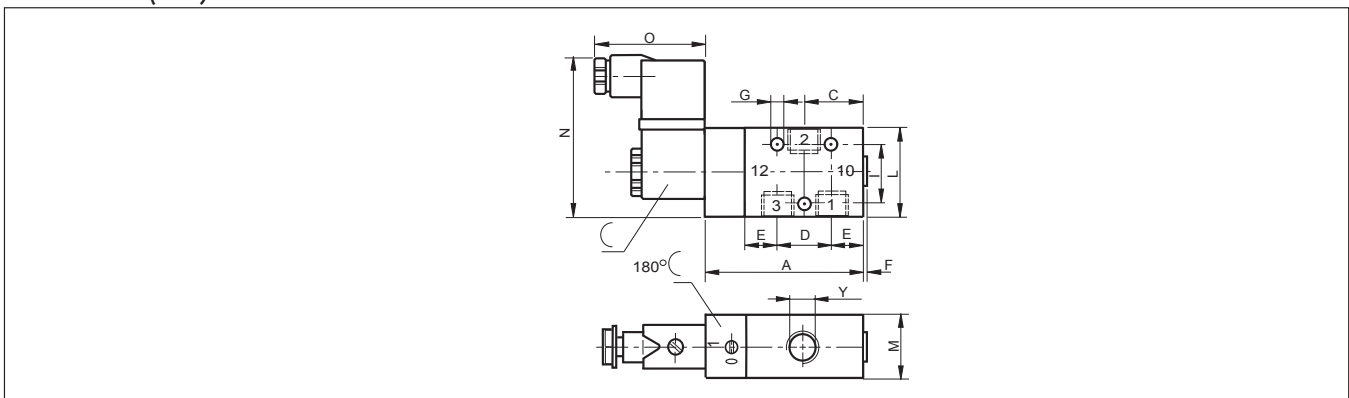


Technical Data:

Type	PMV-3-1/8	PMV-3-1/4	PMV-3-3/8	PMV-3-1/2
Art. no.	63955	63976	63995	639114
Connection	G1/8	G1/4	G3/8	G1/2
Valve function	3/2 way			
Design	Piston spool			
Type of mounting	Via through-holes			
Norminal dia (mm)	5	8	10	12
Std. nominal flow rate (l/min)	650	1450	2250	3000
Operating medium	Filtered compressed air, lubricated or unlubricated			
Operating pressure range	2...10 bar	1.5...10 bar	1.5...10 bar	1...10 bar
Temperature range	-10...+60 °C			
Operating vantage	12, 24, 48, V DC; 24,110, 230 (50...60 Hz) VAC			
Power consumption	DC voltage 3 W; AC voltage 5 VA			
Protection class	IP 65			
Materials	Body: Wrought aluminium alloy, anodised; Seals: Nitrile rubber			
Weight (g)	200	410	420	550

Note: For magnetic coils see sheet 4.6.1.

Dimensions (mm):



Connection (Y)	A	C	D	E	F	G	I	L	M	N	O
G1/8	58	21	18	12	1	4.5	25	36	22	65	48
G1/4	74	29	22	18	-	5.5	36	50	30	72	48
G3/8	82	33	28	19	1	6.6	36	50	30	72	48
G1/2	98	41	32	25	-	6.6	40	60	30	78	48