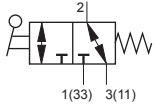


**Hand Lever Valve,**  
Spring return



**Function:**

Manual actuation of the lever shift the spool of the valve, until the lever is released.

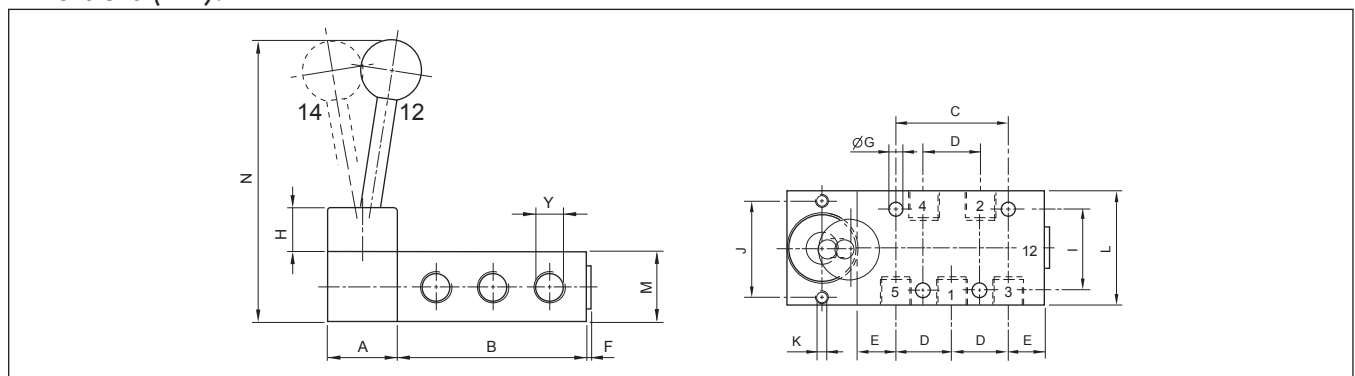
If pressure is applied to port 1 the function is normally closed. If pressure is applied to port 3 the function is normally open.



**Technical Data:**

Type	PLV-3-1/8	PLV-3-1/4	PLV-3-3/8	PLV-3-1/2
Art. no.	63956	63977	63996	639115
Connection	G1/8	G1/4	G3/8	G1/2
Valve function	3/2-way			
Design	Piston spool			
Type of mounting	Via through-holes			
Norminal dia (mm)	5	8	10	12
Std. nominal flow rate (l/min)	650	1450	2250	3000
Operating medium	Filtered compressed air, lubricated or unlubricated			
Operating pressure range	1...10 bar			
Actuating force at 6 bar (N)	20	25	25	32
Temperature range	-10...+60 °C			
Materials	Body: Wrought aluminium alloy, anodised; Seals: Nitrile rubber			
Weight (g)	190	460	490	690

**Dimensions (mm):**



Connection (Y)	A	B	C	D	E	F	G	H	I	J	K	L	M	N
G1/8	22	42	21	18	12	1	4.5	14	25	30	M4	36	22	88
G1/4	30	58	29	22	18	-	5.5	14	36	40	M5	50	30	110
G3/8	30	66	33	28	19	1	6.6	16	36	40	M5	50	30	112
G1/2	30	82	41	32	25	-	6.6	20	40	-	-	60	30	120