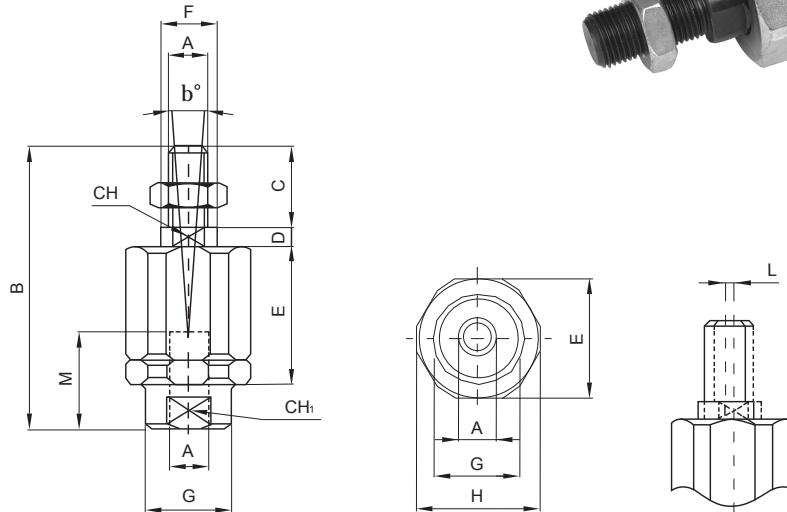


Self-Aligning Joint

Material: Steel
Treatment: White zinc coated
Dimension: In millimeters



Type	Art. No.	Piston Ø (mm)	A	B	C	D	E	F	G
AJC-M6	116805	12/16	M6 X 1	35	10	3.5	17.5	6	8.5
AJC-M8	116808	20	M8 X 1.25	57	20	4	28.5	8	12.5
AJC-M10X1.25	116811	32	M10 X 1.25	71	20	5	35	14	22
AJC-M12X1.25	116814	40	M12 X 1.25	75	24	5	35	14	22
AJC-M16X1.25	116817	50/63	M16 X 1.5	103	32	8	54	22	32
AJC-M20X1.5	116820	80/100	M20 X 1.5	119	40	8	54	22	32

Type	Art. No.	H	I	L	M	CH	β°	CH ₁	Max. load Co (daN)	Weight (g)
AJC-M6	116805	14.5	13	1	10	5	10	7	120	30
AJC-M8	116808	19	17	2	20	7	10	11	250	60
AJC-M10X1.25	116811	32	30	2	20	12	10	19	500	220
AJC-M12X1.25	116814	32	30	2	20	12	10	19	500	230
AJC-M16X1.25	116817	45	41	2	32	20	10	30	1000	660
AJC-M20X1.5	116820	45	41	2	40	20	10	30	1000	700